

## LOAD CELL R10

from 1 ton to 100 tons



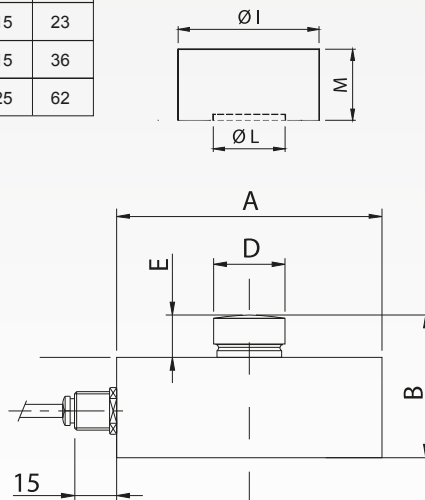
### Description

- ▶ Low profile stainless steel compression load cell
- ▶ Protection rating IP68
- ▶ Accuracy to  $\pm 0.2\%$
- ▶ Spherical support dowl for centring the load on the load cell

### Plan/Wiring

Nominal load capacity	$\varnothing A$	$\varnothing D$	B	E	$\varnothing I$	M	$\varnothing L$
1, 2.5, 5, 10, 15 t	82	22	44	12	82	15	23
30 t, 50 t-s	126	35	54	14	89	15	36
50, 100 t	164	60	80	20	89	25	62

Plaque supérieure (option)



**Wiring** (4x 0,25 mm<sup>2</sup>)

+ power	+ signal	signal	- power
red	green	white	black

Dimensions in mm

### Options

- ATEX version
- Spherical support dowels

## METROLOGICAL DATA

Rated capacity (Cn)	1, 2.5, 5, 10, 15, 30, 50, 100	t
Combined error	± 0.05	% Cn
Temperature effect on zero	± 0.0050	% Cn/°C
Temperature effect on sensitivity	± 0.0050	% Cn/°C
Creep error (30 min)	± 0.03	% Cn

## ELECTRICAL DATA

Supply voltage range	1... 15	V
Nominal sensitivity	2 ± 0.1 %	mV/V
Current adjustment	± 0.1	% Cn
Zero balance	± 1	% Cn
Input impedance (resistance)	700 ± 20	Ω
Output impedance (resistance)	700 ± 5	Ω
Insulation resistance	2,000	MΩ /50V

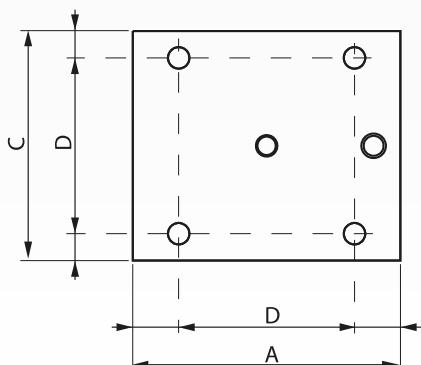
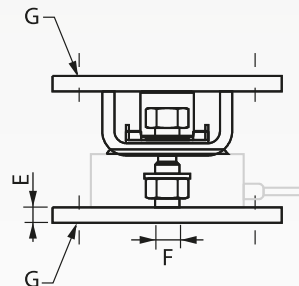
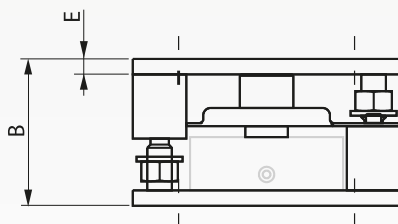
## GENERAL

Safe load limit	150 % Emax. Operating temperature range	-
Compensated temperature range	-10 ... +50	°C
Temperature range	-20 ... +60	°C
Protection rating	IP68	EN 60529
Material	Stainless steel	
Cable length	10	m
Load cell net weight	1.5 (≤ 15 t) / 4 (30 t and 50 t-S) / 10 (≥ 50 t)	kg

## Mounting Kits

### MASTERKIT

- Stainless steel structure
- Anti-lifting device integrated
- Compact design
- Easy installation (bolted fixing plates [threaded fasteners not provided])
- Reduced height from 96 to 155 mm
- Lateral locking for installation (be careful: cannot act as a stop).
- Ideal for weighing tanks and silos
- Fixing screws not provided
- Load cell not included



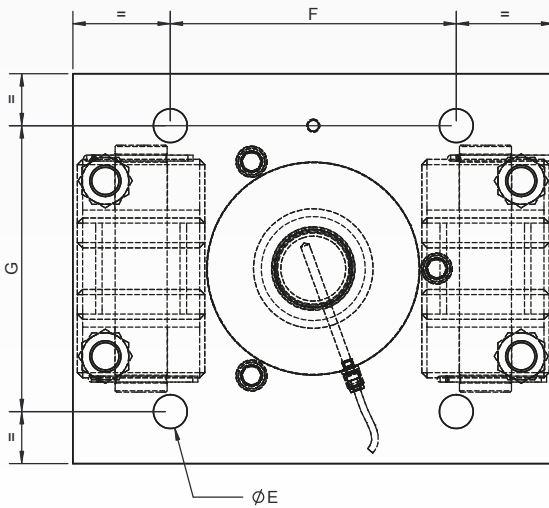
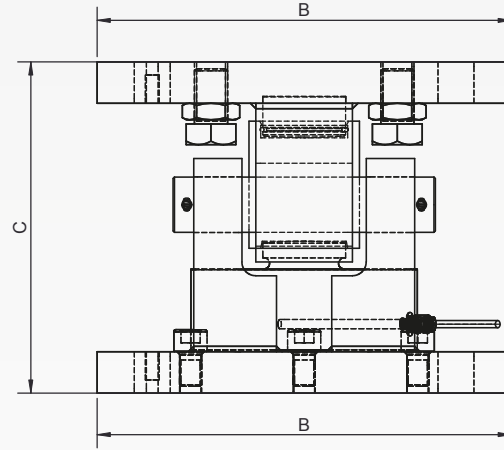
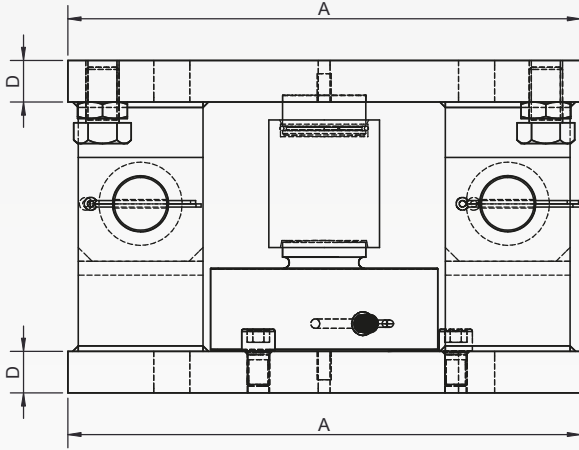
R10 capacity	A	B	C	D	E	F	G	Weight
1...15 t	175	96	150	115	10	M16	Ø14	6 kg
30 t - 50 t (S)	230	118	200	160	10	M20	Ø17	10 kg

MASTERKIT		
R10 Load Cell	1...15 t	30 t - 50 t (S)
Maximum horizontal force	10 KN	20 KN
Force maximum à l'arrachement	20 KN	35 KN

Dimensions in mm

# MASTERSAFE

Available in galvanised or stainless steel  
 Anti-lifting system and high-strength lateral stops integrated  
 High position holding bolt (to help with installation and servicing)  
 Plate fixing threaded fasteners not supplied. Ideal for weighing tanks and silos.  
 Load cell not included



Dimensions in mm.								
Load cell	A	B	C	D	E	F	G	Poids
1t à 15t	180	180	135	20	18	140	140	14 kg
30t & 50t S-size	260	220	155	20	22	175	175	29 kg
50t & 100t	370	300	240	30	26	220	220	90 kg

► OPTION: Earth braid - 25 - 25 mm<sup>2</sup>

**ARPEGE MASTERK**  
 Bâtiment n°6 - 15, rue du Dauphiné  
 CS 40216 - 69808 St PRIEST - FRANCE  
 Tél : +33 (0)4 72 22 92 22  
 Fax : +33 (0)4 72 22 93 45  
 marketing@masterk.com

Our product factsheets  
 are available for download  
 at our website  
[www.masterk.com](http://www.masterk.com)

Company Registration: 971 506 480 RCS LYON  
 SIC registration code: APE 2829A French VAT: FR 28 971 506 480

Your contact information