

## Weighing transmitter SAT 2 WEIGHT



### Description

- ▶ Weighing transmitter with microcontroller and 30 bit A/D converter
- ▶ DIN rail mounting, 2 modules wide
- ▶ Vertical mounting: compact
- ▶ 128 x 32 OLED display, 6 keys, 5 LEDs
- ▶ 24 VDC power supply
- ▶ Plug-in terminal blocks
- ▶ Up to 8 load cells of 350 Ohm
- ▶ Transmits the weight information in MODBUS-TCP (Ethernet) or MODBUS-RTU (RS)
- ▶ Recommended 10 000 scales max, configurable up to 1 000 000 scales
- ▶ Fast conversion: up to 960 measurements per second
- ▶ 6-wire sensor input
- ▶ 16-bit opto-isolated analog output (4-20mA or 0-10V)
- ▶ 1 RS232/RS485 serial port
- ▶ Bluetooth



3 cumulative configuration options:

- Modbus TCP or Profinet or Ethernet IP
- RS485 and 4-20mA (or 0-10V)
- 3E/5S or 3E/4S (opto-isolated inputs - 24 VDC - digital outputs - 24 VDC - 200

With the Bluetooth connection, the SAT 2 WEIGHT comes with a mobile application that can be downloaded from the website [www.masterk.com](http://www.masterk.com)



### Benefits

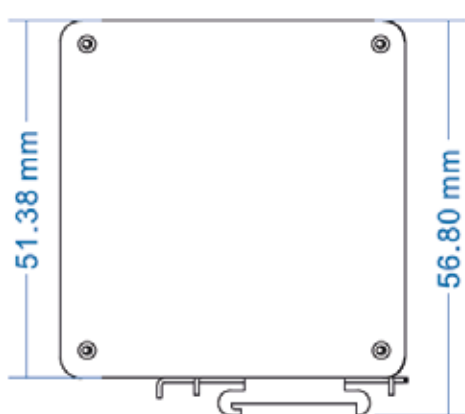
#### Weight adjustment

- ▶ - Adjustment via front panel keys or via app on Android via Bluetooth connection
- ▶ - Theoretical adjustment possible (without using a test weight)
- ▶ - Linearization adjustment possible in 5 points

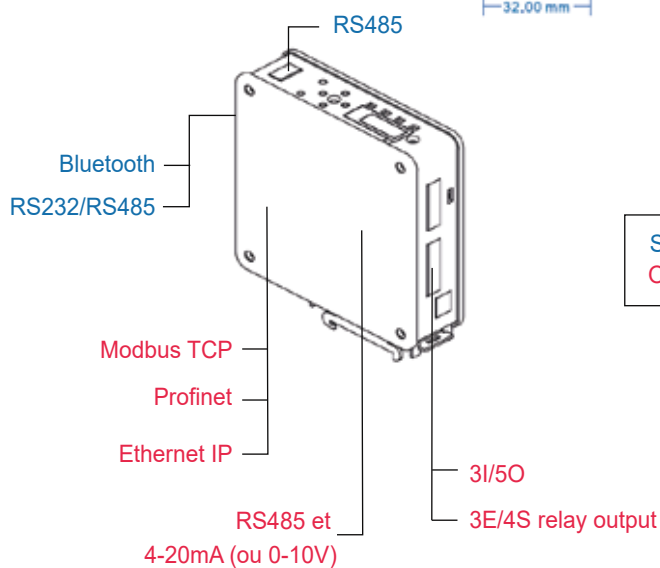
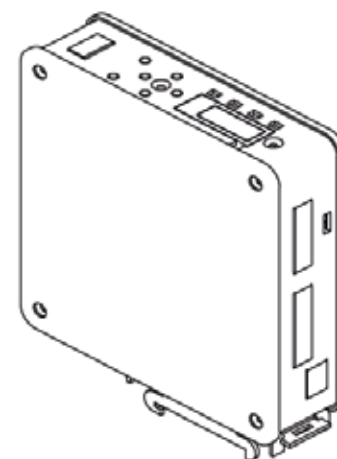
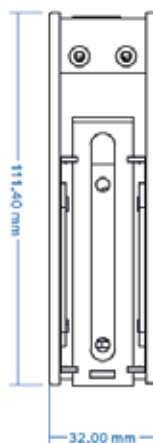
## Characteristics

Power supply	24 V <sub>DC</sub> ; 5 W
Load cell power supply	5V <sub>DC</sub> / 200mA (MAX), 8 load cells 350Ω (MAX)
AD Converter	50 / 60/100/120/200/240/400/480/800/960 (SPS)
Analog Outputs	4-20mA, 0-10V
Relay logic outputs or TRIAC logic outputs	4 - max 24 V <sub>DC</sub> /200mA 5 - max 30 V <sub>DC</sub>
Entrées logiques	3 - opto-isolated 24 V <sub>DC</sub>
Serial port	RS485 + RS485/RS232
Communication speed - bps	2400, 4800, 9600, 19200, 38400, 115200
Operating temperature	De -10°C à +40°C
Measurement rate	960 measurements per second
Internal resolution	Up to 1 000 000 divisions ; Recommended : 10 000 divisions

## Dimensions



Dimensions in mm



### ARPEGE **MASTERK**

Bâtiment n°6 - 15, rue du Dauphiné  
CS 40216 - 69808 St PRIEST Cedex  
Tél : 33 (0)4 72 22 92 22  
Fax : 33 (0)4 72 22 93 45  
marketing@masterk.com

971 506 480 RCS LYON - CODE APE 2829A - VAT FR 28 971 506 480

Download  
our datasheets  
from our website  
[www.masterk.com](http://www.masterk.com)

Contact